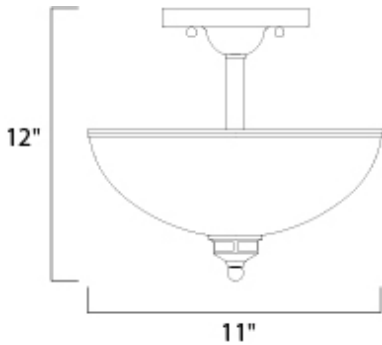




PRODUCT DESCRIPTION

A complete collection of builder driven lighting features sweeping arms that support bowl shaped Satin White glass shades. The shade support reveals the glass above for an interesting design element. Available in Polished Chrome for contemporary and transitional decor and Oil Rubbed Bronze for the more traditional home design.



MEASUREMENTS

DIMENSION : 11." L x 11." W x 12." H
 HANGING WEIGHT : 3.18 lb

LAMPING

INPUT VOLTAGE : 120V
 LUMENS : 0 Rated (0 Del.)
 BULB : 2 x 60W (NOT INCLUDED), 120W Total
 DIMMABLE : Dimmable

FINISHES OPTION

Oil Rubbed Bronze OI



GLASS

Satin White SW

MATERIAL

Steel

RATINGS

cETLusDry Location Dimmable



ADDITIONAL

INSTALL UP/DOWN:
 OPERATING TEMPERATURE:
 -20°C (-4°F), 40°C (104°F)

Always consult a qualified electrician before installing any lighting product.



WESTERN DISTRIBUTION CENTER (HEADQUARTER)
 253 NORTH VINELAND AVE | CITY OF INDUSTRY, CA 91746
EASTERN DISTRIBUTION CENTER
 4200 SHIRLEY DR. | ATLANTA, GA 30336
 P. 626.956.4200 | F. 626.956.4225 | maximlighting.com