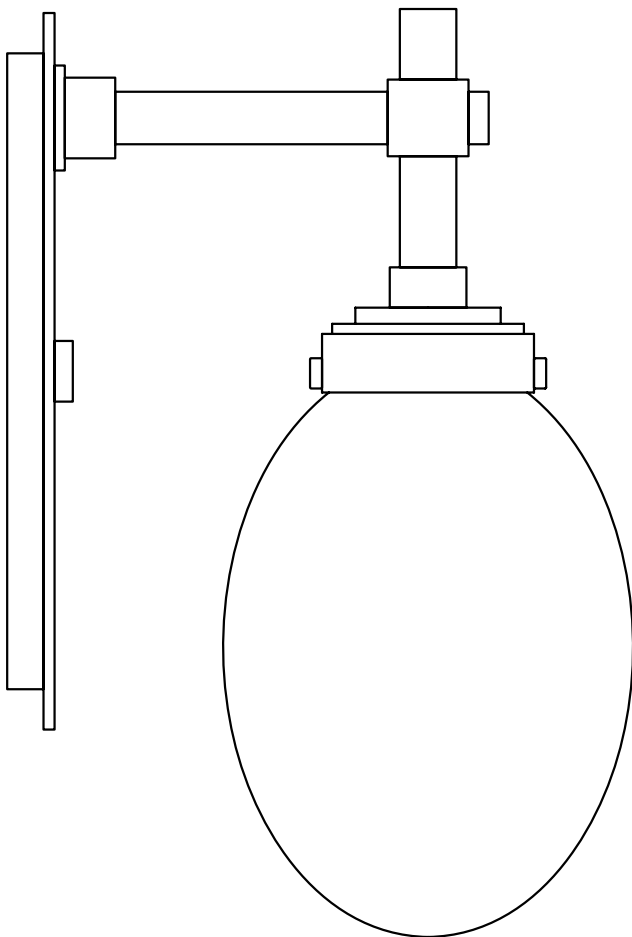




PRODUCT NAME: Pike Place
ITEM NUMBER: 54382 54384

Please consult your electrician for hanging fixture and wiring.



To prevent water intrusion, caulk around back-plate where fixture meets the wall using outdoor silicone sealant.

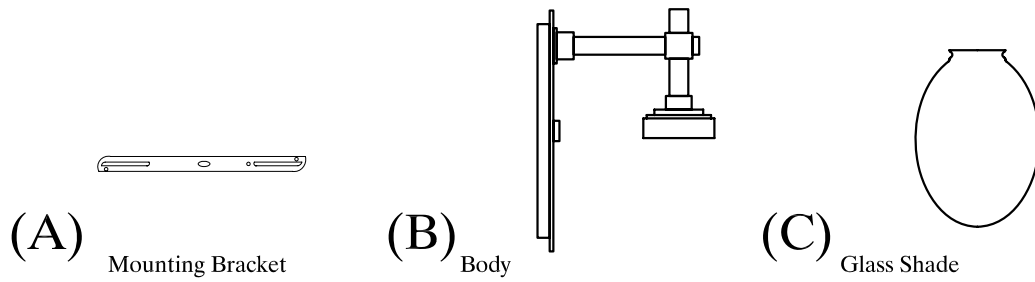
This fixture is designed to dim with an Electronic Low Voltage dimmer. Dimming levels will vary by dimmer. Below is a List of Recommended Dimmers:

- Lutron MACL-153M
- Leviton IPL06-10Z

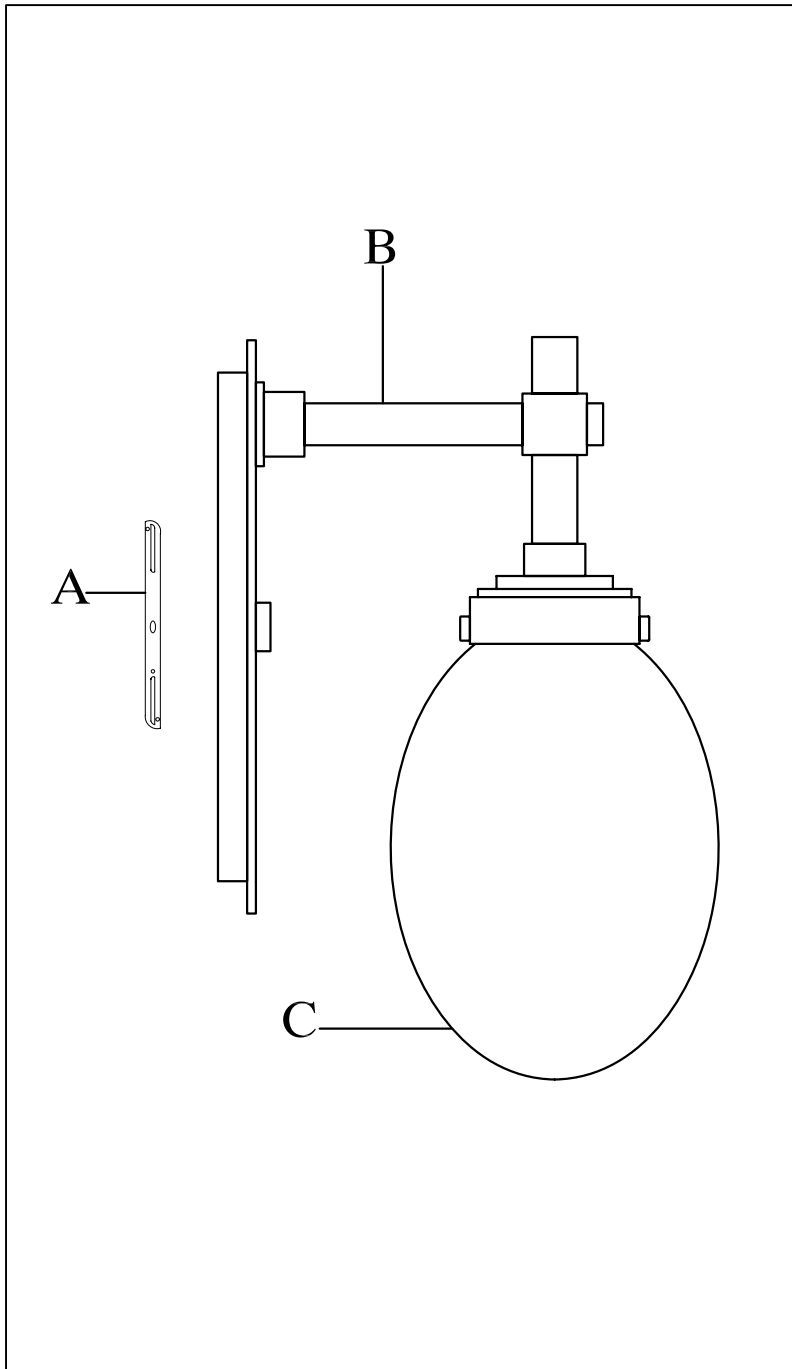
Due to inrush current, wattage should not exceed 150 Watts of product for a 600 Watt dimmer.

8W LED

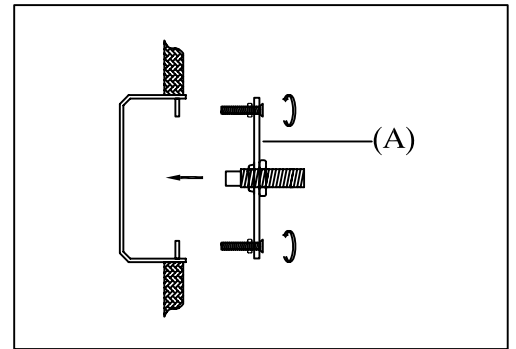
IMPORTANT: Turn off the power at the main fuse of circuit breaker box before starting installation



Locate all hardware & components before discarding packaging

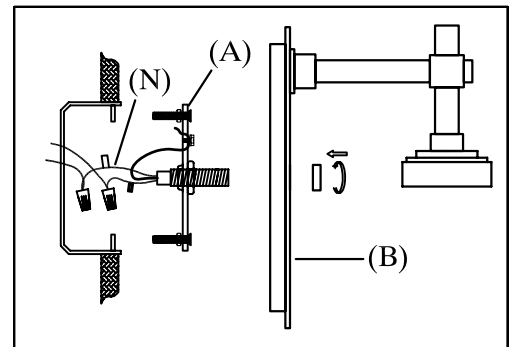


1.)



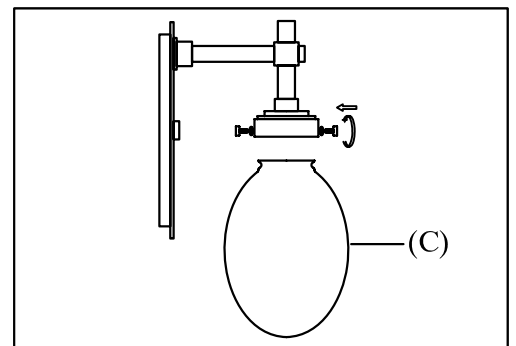
step1: Attach the mounting bracket to the outlet box by using two mounting screws.

2.)



step2: Pull out the source wires from the outlet box. Make wire connections using wire nuts. Attach the fixture grounding wire to the mounting bracket with the green grounding screw, and then connect it to the house grounding wire with a wire nut. Then, attach the body to the mounting bracket, and secure it with one ball nut.

3.)



step3: Finally, fix the glass on the body with ball nuts.

Cleaning & Care:

Clean with soft cloth and a mild detergent.
Do not use abrasive cleaner.

MADE IN CHINA

Page 2 of (2)