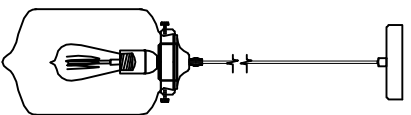


Trade Mark:  
**CRYSTAL WORLD INC**

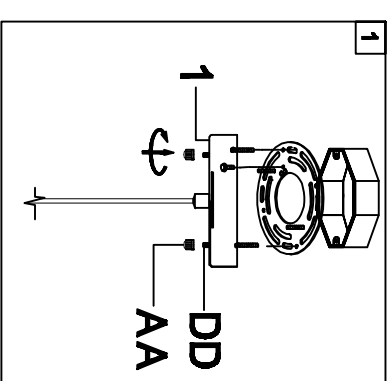
**Product Name: Pendant lamp**  
**Model :5570P7-Amber**  
**120Vac, 60Hz,AC ONLY**  
**Lamp Size:D7\*\*\*H11"~H70"**



  
c<sub>intertek</sub> us  
**Intertek**  
4006677

## Pendant LAMP ASSEMBLY INSTRUCTIONS

1. Place fixture (1) onto mounting screws (DD). Secure with Cap nut (AA).



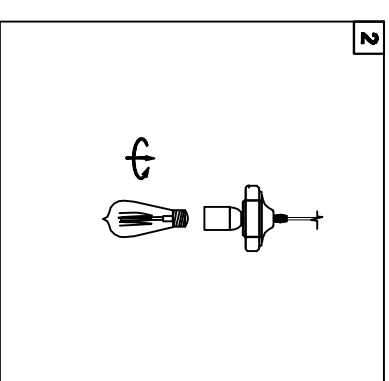
### Hardware Used

AA Cap nut  X 2

DD Mounting screw  X 2

3. Install lighting bulbs ( not included).

USE 120V E26  1\*40W Max.



2. Please fix part (2) with part (1).

