

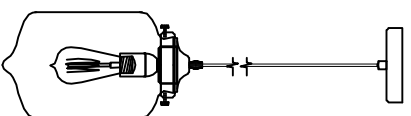
Trade Mark:
CRYSTAL WORLD INC

Product Name: Pendant lamp

Model :5570P7-Smoke

120Vac, 60Hz,AC ONLY

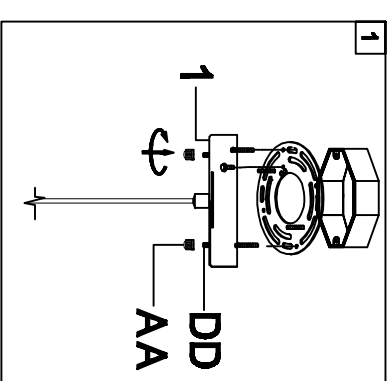
Lamp Size:D7*H11"~H70"**




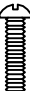

c_{intertek} us
Intertek
4006677

Pendant LAMP ASSEMBLY INSTRUCTIONS

1. Place fixture (1) onto mounting screws (DD). Secure with Cap nut (AA).

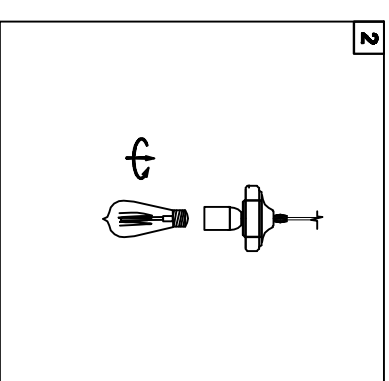


Hardware Used

AA Cap nut		X 2
DD Mounting screw		X 2

3. Install lighting bulbs (not included).

USE 120V E26  1*40W Max.



2. Please fix part (2) with part (1).

