

Assembly Instruction Sheet #IS-9699P41-6

For Style 9699P41-6

Tools Required: Flathead screwdriver, Phillips screwdriver, pliers, wire cutters, wire strippers, electrical tape, safety glasses.

Light Source: (6) E26 Base Bulb 60W Maximum (Not Include).

Estimated Assembly Time: 15-30 minutes

Preparation: Identify and inspect all parts before beginning installation. Check package content list and diagrams below to be sure all parts are present. If any parts are missing or damaged, do not attempt to assemble, install, or operate the fixture. Contact customer service for replacement parts.

⚠ Warnings and Cautions

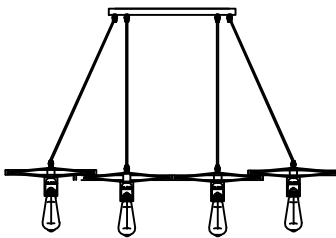
Turn off electricity at circuit breaker or main fuse box before installation. Consult a licensed electrician if in doubt.

These instructions are provided for your safety. It is very important you read them completely before installing the fixture.

We strongly recommend that a licensed, professional electrician perform the installation.

Disconnect fixture from power source before replacing bulbs. Make sure bulbs are given sufficient time to cool before removal.

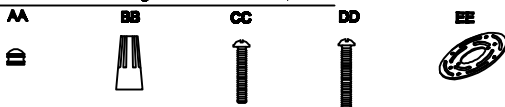
Package Contents



A Fixture Body x1

Hardware Contents

PART	DESCRIPTION	QUANTITY
AA	Decorative Caps	2pos
BB	Electrical Marrets	2pos
CC	Outlet Box Screw	2pos
DD	Mounting Screw	2pos
EE	Mounting bracket	1pos



STEP 1 - Attach Mounting Screws, Lock Washers and Hex Nuts to Mounting bracket.

- A.** Line up a set of holes on the Mounting bracket (EE) and Holes on the Backplate. Thread Mounting Screws (DD) into the holes on the Mounting bracket (EE). Pass Lock Washers and thread Hex Nuts onto the Mounting Screws (DD). Hand tighten until snug.

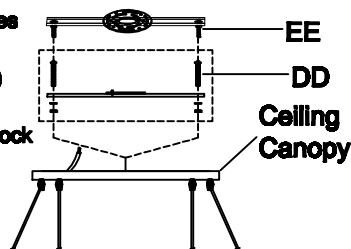


Figure 1

STEP 2 - Attach Mounting bracket to Outlet Box

- A.** Pass the supply wires through the Mounting bracket (EE).

Attach the Mounting bracket (EE) to the Outlet Box with the head of the Green Ground Screw facing you.

Secure it with Outlet Box Screws.

Tighten until snug.

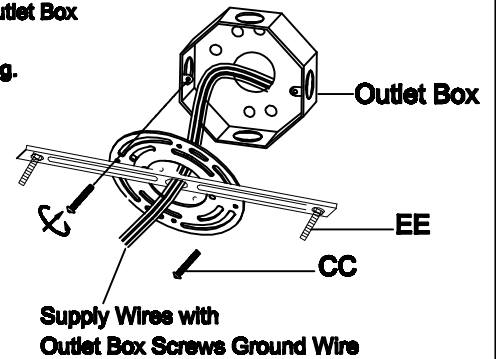


Figure 2

STEP 3 - Fit Backplate to Mounting bracket Assembly

- A.** Fit the backplate to Mounting Screws (DD) and secure with Decorative Caps (AA). Note: The backplate should be snug against the ceiling and the Decorative Caps (AA). If not, adjust the length of the

Mounting Screws (DD) by unscrewing the Hex Nut and Lock Washer and then screwing Mounting Screws (DD) in or out of the Mounting bracket (EE) until the correct length is achieved.

Once the Ceiling Canopy is secure, remove the Decorative Caps (AA) and Ceiling Canopy and proceed to Step 4

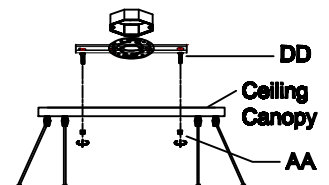


Figure 3