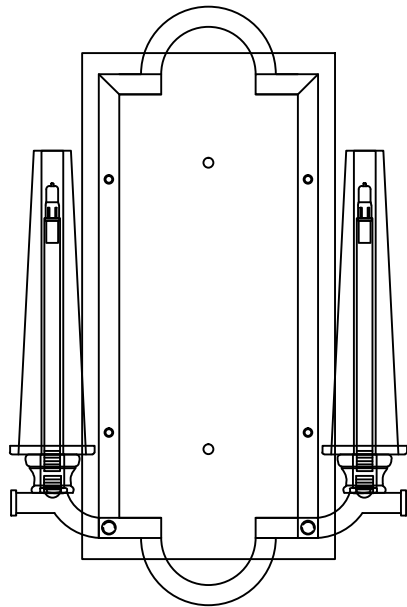



Trade Mark:  
CRYSTAL WORLD INC

Product Name: Pendant lamp  
Model :9900W10-2-601  
120Vac, 60Hz,AC ONLY  
Lamp Size:W10"\*H13"\*E6"



## PENDANT LAMP ASSEMBLY INSTRUCTIONS

1.Install bulbs( NOT INCLUDED),USE 12V G4  2\*20W Max.

