

CWI LIGHTING

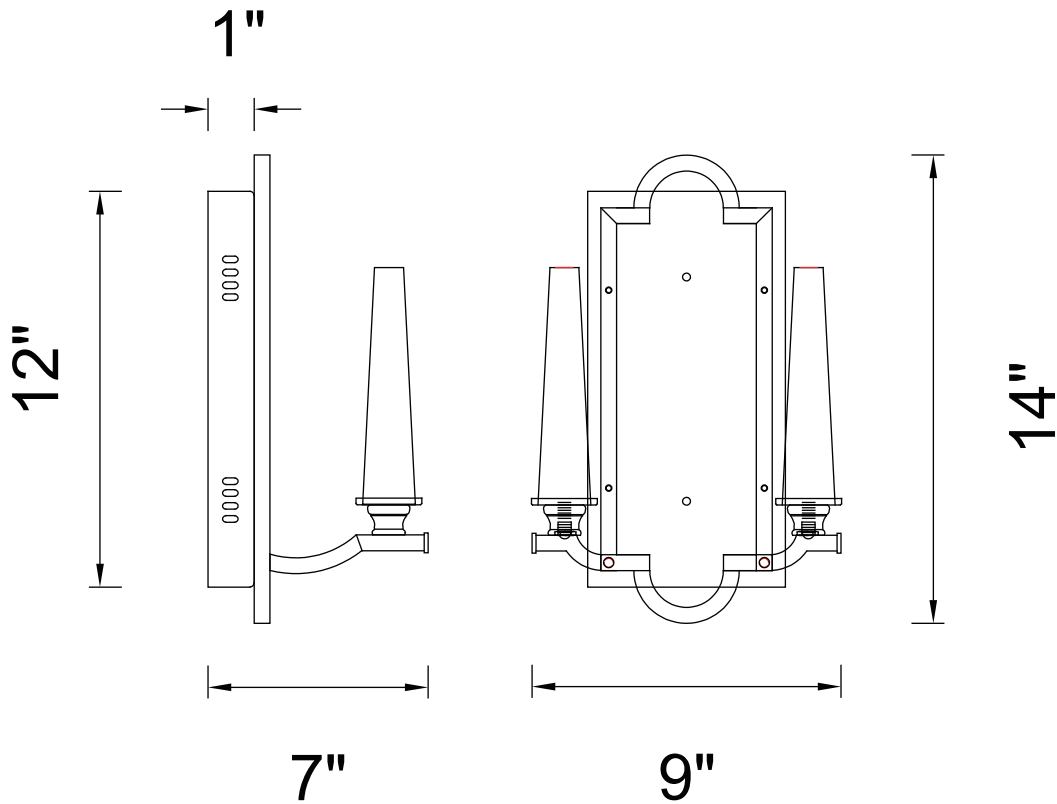
BRIGHTER LIVING. SIMPLIFIED.

PROJECT: _____

FIXTURE TYPE: _____

LOCATION: _____

CONTACT/PHONE: _____



Item	9900W10-2-601
Collection	CALHOUN
Finish	Chrome
Glass	-----
Crystal	Clear
Input	120V AC,60HZ,AC

Shade	-----
Length/Dia.	9"
Width/Ext.	7"
Height	14"
Maximum	-----
Lumens	-----

Light Source	G4
Bulb Info.	2x20W
Included	-----
Dimmable	No
Color	-----
Weight	